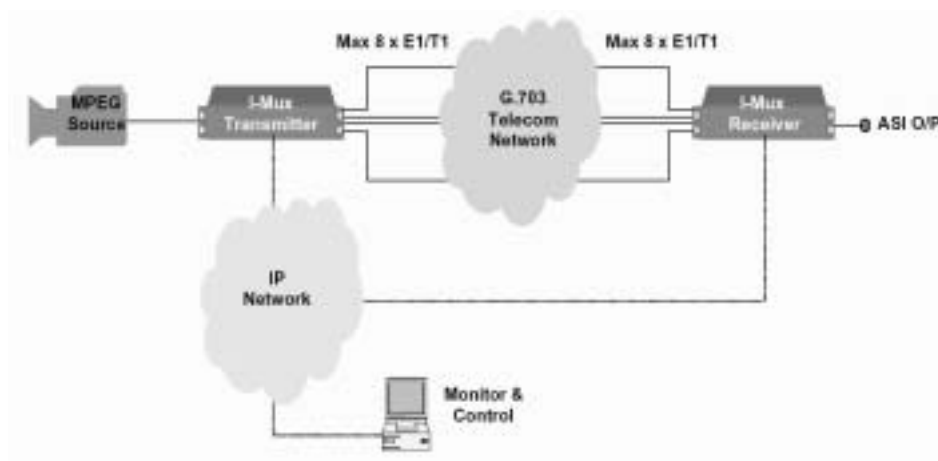


I-MUX MV02

I-MUX FOR PROFESSIONAL BROADCAST VIDEO



- The NEW MV02 I-MUX from KLEINBIT has been designed to solve the problems of the broadcast industry, which arise when required programme bandwidths and available telecom bandwidths are not compatible.
- The MV02 I-MUX conditions a DVB/ASI programme stream for transmission over available E1 or T1 links. A maximum 8 separate streams of 2 or 1.5 Mb/s is supported.
- The MV02 I-MUX system has been designed give the user maximum payload bandwidth whilst not forgetting the paramount concern for programme integrity. As such the MV02 I-Mux has a choice of two levels of Reed Solomon forward error correction.
- Flexibility, usability and ease of network integration were key factors in the MV02 I-Mux design brief. Hence all key functions are user selectable from the front panel interface or the optional Web browser Management system (Q3 2002).
- Drawing on our 25 years experience of the telecom and broadcast industries, we have designed the MV02 I-MUX to be compliant with all applicable standards and so it is suitable for use with any DVB ASI signal over E1, T1 and J1 lines.
- Contact KLEINBIT now to find out how we can save you money on your ASI transport costs.



System Bandwidth	4 Byte RS FEC	16 Byte RS FEC
MPEG Payload per E1 Link	1.98Mb/s	1.86Mb/s
Max MPEG Payload per E1 system (8 Links)	15.84Mb/s	14.88Mb/s
MPEG Payload per T1 Link	1.49Mb/s	1.40Mb/s
Max MPEG Payload per T1 system (8 Links)	11.92Mb/s	11.2Mb/s

Technical Specification

MPEG Interface

DVB/ASI Compliant

ASI formats supported: 188, 204 Pad/RS

E1/T1 Link Interface

Complies with ITU-T G.703

Jitter compliance: ITU-T G.823

Impedance: 75 ohm unbalanced

120 ohm balanced

System

Maximum number of E1/T1/J1 links: 8

Maximum delay variance between E1 links: 64ms

Error Correction

Reed-Solomon FEC, selectable 4/16 byte Format

Management and Control

Front panel interface for local control.

Web browser management for remote Control (Q3 2002).

Mechanical

Height: 43.6mm (1U)

Width: 482.6mm (19")

Depth: 383mm incl. connectors

Weight: 5.6kg

Power Supply

Dual redundant PSU's

Auto-ranging 100-240VAC (50-60Hz)

Environmental

Operating temperature: 0 °C to 40 °C

Storage temperature: -5 °C to 70 °C